



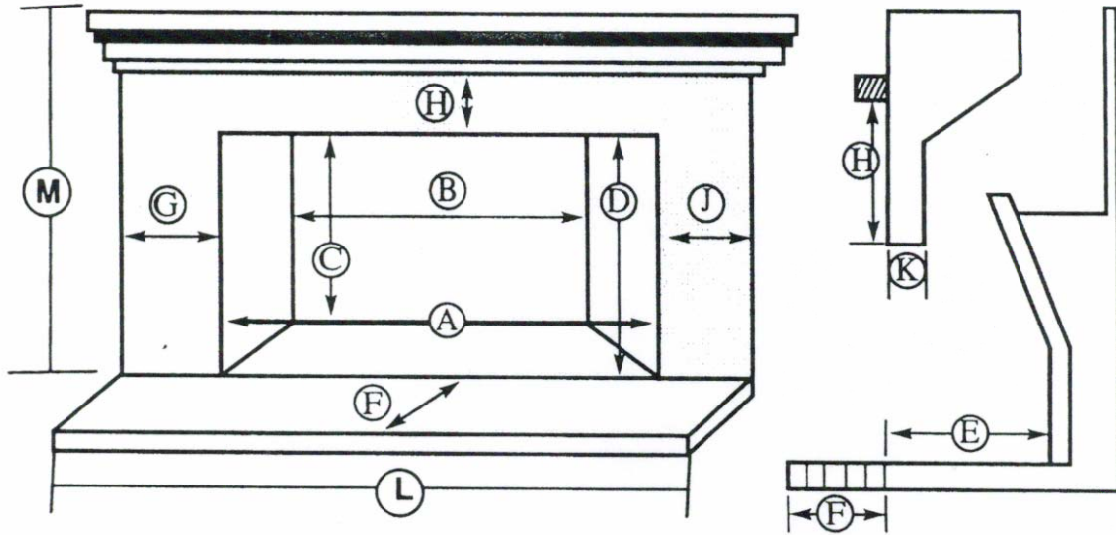
# FIREPLACE MEASUREMENTS

Customer Name \_\_\_\_\_ Salesperson \_\_\_\_\_

Address & City \_\_\_\_\_

Work Phone \_\_\_\_\_ Home Phone \_\_\_\_\_

Cell Phone \_\_\_\_\_ Date \_\_\_\_\_



(A) Width-Front: \_\_\_\_\_

(B) Width-Rear: \_\_\_\_\_

(C) Height-Center: \_\_\_\_\_

(D) Height-Side: \_\_\_\_\_

(E) Depth of firebox: \_\_\_\_\_

(F) Hearth Measurement: \_\_\_\_\_

(G) Distance to side mantle Left: (or combustible surface) \_\_\_\_\_

(H) Height to mantle: (or combustible surface) \_\_\_\_\_

(J) Distance to side mantle Right: (or combustible surface) \_\_\_\_\_

(K) Width of Lintel: \_\_\_\_\_

(L) Width of hearth \_\_\_\_\_

(M) Height to top of mantle \_\_\_\_\_

Is this an arch fireplace  yes  no

Is this a prefabricated or all metal fireplace  yes  no

Is this an all masonry fireplace  yes  no

Is there a drop between the hearth and the firebox?

yes  no (E&F) how much \_\_\_\_\_

Please note any unusual protruding bricks \_\_\_\_\_

Is there anything unusual about the fireplace?  yes  no

OTHER \_\_\_\_\_

1) Type of facing: Brick  Stone

2) Is a flue liner in chimney?  yes  no

3) Square footage of home: \_\_\_\_\_

Is it a raised hearth, if so include height? \_\_\_\_\_